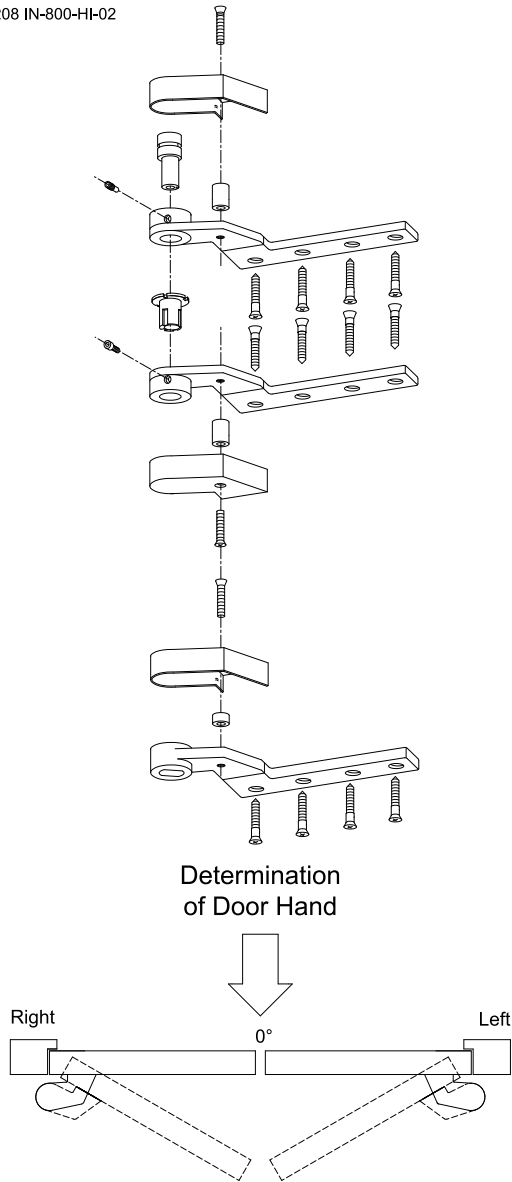




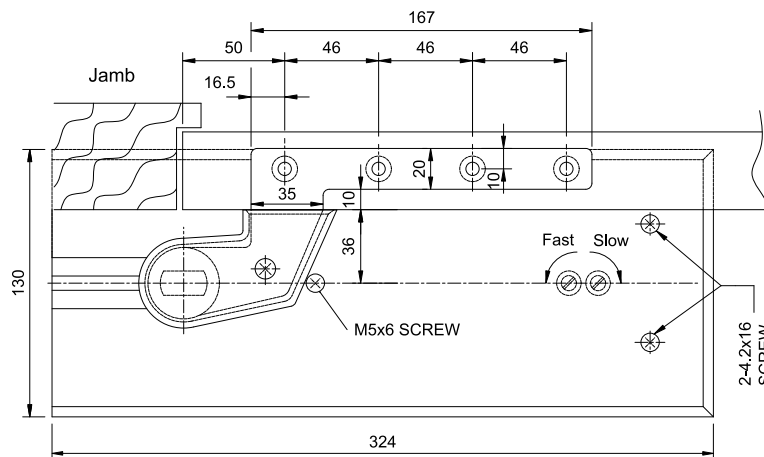
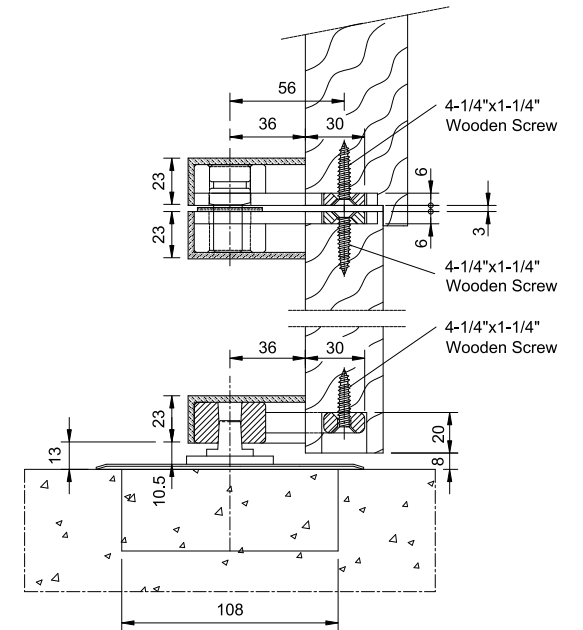
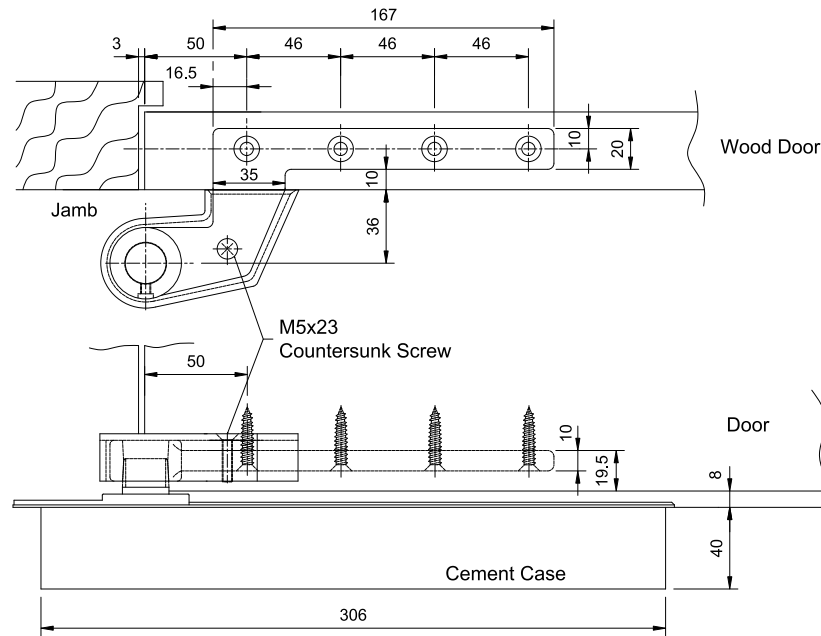
5000 Floor Spring Installation Instructions

FIXING INSTRUCTION FOR SINGLE ACTION WOOD DOOR AND ACCESSORIES

10208 IN-800-HI-02



Top pivot

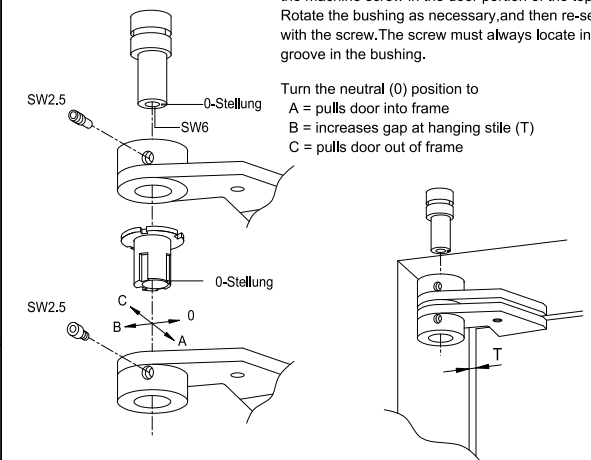


Additional adjustments:

Support the weight of the door with a wedge, and loosen the machine screw in the door portion of the top centre. Rotate the bushing as necessary, and then re-secure with the screw. The screw must always locate into a groove in the bushing.

Turn the neutral (0) position to

A = pulls door into frame	-1mm
B = increases gap at hanging stile (T)	+2mm
C = pulls door out of frame	+1mm



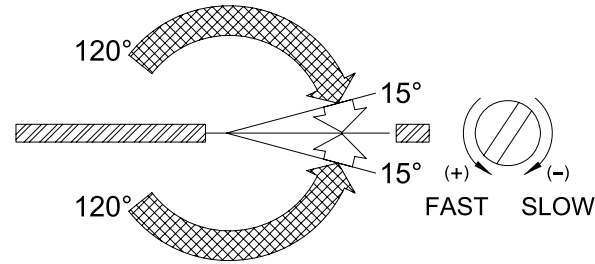
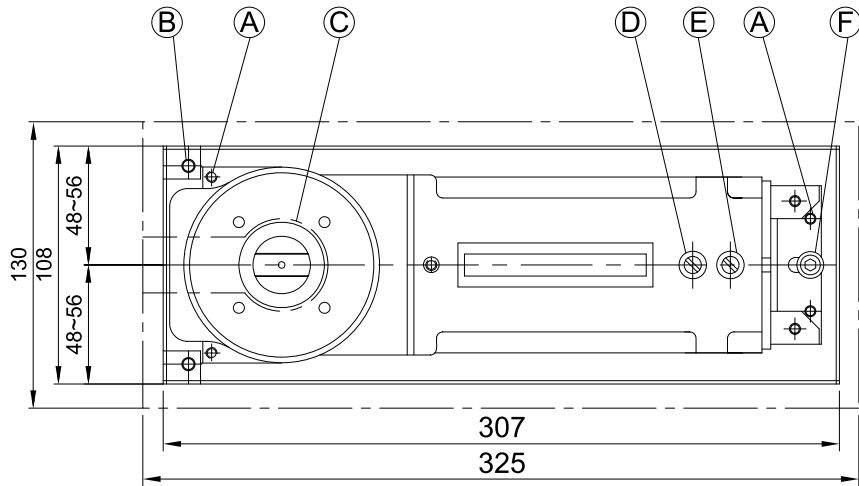
A.

Closer size	Max. Door Width	Max. Door Weight	Max. Opening Angle
Size 2	850mm	40kg	120°
Size 3	950mm	80kg	120°
Size 4	1100mm	100kg	130°

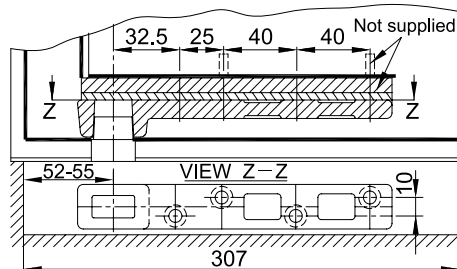
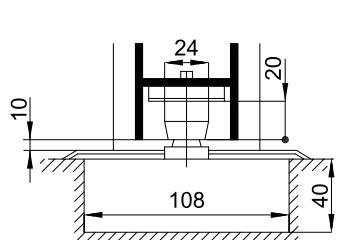
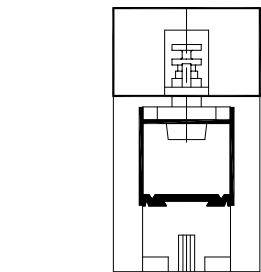
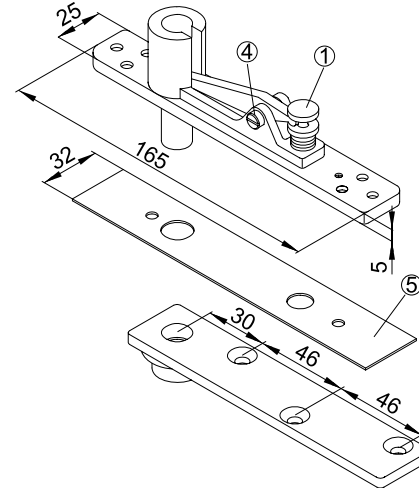
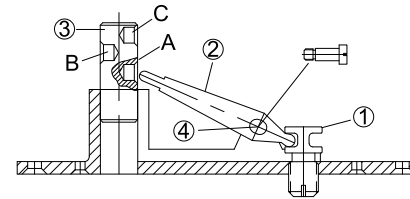
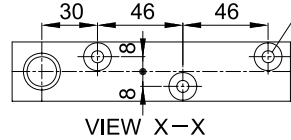
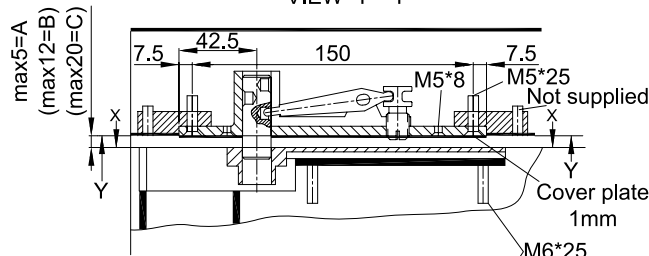
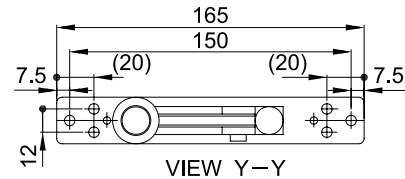
B. Maintenance (Annually):
Check door closer closes the door correctly and adjust if necessary.
Tighten any screw that may have become loose.

C. Important warning:
It contains a pre-stressed spring which could be dangerous, so under no circumstances attempt to dismantle the closer.

FIXING INSTRUCTION FOR DOUBLE ACTION FLOOR HINGE



- Preparation:
 - Mill or route door and frame to accept relevant top center parts.
- Top Center - frame portion:
 - To change the extended "THROW" of pivot pin ③ proceed as follows.
 - Unscrew shoulder screw ④, turn adjustment screw ① counter clockwise until pivot pin ③ and rocker arm ② can be removed.
 - Select the desired hole in pivot pin ③, A, B or C, and reassemble in same sequence.
 - Maximum "THROW" is achieved with rocker arm ② in position C.
- Locate Floor Hinge:
 - Make reseat in floor for cement case, fit Floor Hinge in position.
 - Ensure spindle aligns with pivot pin in frame.
 - Take dust plate ③ from coverplate, place it over spindle before hanging door.
- Installation of door:
 - Open door properly to reveal adjustment screw of pivot pin.
 - Turn screw counter clockwise until pin fully engages with pivot in door.
- Adjustment of clearance between hinge jamb and door stile:
 - Loosen screws ⑥ and ⑦.
- Adjustment of door height:
 - Loosen screws ⑧, ⑨, and adjust screw ⑩.
- Centering door:
 - Loosen screws ⑧ and ⑨.
- Adjustment of closing speed:
 - Two regulating valves ⑪ and ⑫.
 - ☉ decrease closing speed.
 - ☉ increase closing speed.
 - Valve ⑪: controlled closing range 130° - 15°.
 - Valve ⑫: controlled closing range 15° - 0°.
- Lock coverplate:
 - Using 3 screws provided.



A.

Closer size	Max. Door Width	Max. Door Weight	Max. Opening Angle
Size 2	850mm	40kg	120°
Size 3	950mm	60kg	120°
Size 4	1100mm	80kg	120°

B. Maintenance (Annually):

Check door closer closes the door correctly and adjust if necessary. Tighten any screw that may have become loose.

C. Important warning:

It contains a pre-stressed spring which could be dangerous, so under no circumstances attempt to dismantle the closer.